

# RI 900

## Amplifier & infrared receiver

### FEATURES

- Receives high audio quality on carrier frequencies 2.3MHz, 2.8MHz and 95kHz
- Two switchable microphones for boosting surrounding sound
- Moveable ear pads guarantee high wearing comfort
- Balance control left/right
- Ergonomic volume control
- Foldable receiver for easy transport
- Lithium polymer battery for up to 12 hours of permanent operation

The RI 900 is the all-rounder amongst the Sennheiser receivers. It is not only an infrared receiver, but also a mobile sound amplifier. Whether in company or out and about, the two activatable microphones help you understand and discern conversations and ambient sounds better. In theatres and concert halls with infrared transmission you can adjust the volume to suit your own individual taste and enjoy the performance in optimum sound quality.



### ARCHITECT'S SPECIFICATIONS

The device shall be both a portable infrared (IR) mono or stereo receiver and self-contained personal ambient sound amplifier. The infrared receiver section shall be for use with a companion infrared transmitter as part of a wireless IR transmission system. The infrared transmission shall utilize frequency modulation (FM) technology, switchable between receiving frequencies 2.3 MHz, 2.8 MHz and 95 kHz. The receiver shall incorporate stethoscope-style earphones for head-worn use; maximum sound pressure level at 1kHz shall be 125dB<sub>sp</sub> when worn. Audio frequency response shall be 50 – 16,000Hz; total harmonic distortion (THD) shall be <1.0%. Signal-to-noise ratio shall be at 75 dB(A) (typical). Two integral switchable microphones shall be included to allow amplification of local ambient sound for the user. Ear pad fit shall be self-adjusting to the user's ears to allow comfortable fit; ear pad tips shall be replaceable. The receiver shall include volume (level) and left/right balance controls. Output shall be switchable between mono or stereo audio operation. The receiver stethoscope arms shall be foldable.

Continued on page 2

### TECHNICAL DATA

Modulation: .....FM, stereo  
Receiving frequencies: .....2.3/2.8 MHz, 95 kHz  
Frequency response: .....50 – 16,000 Hz  
Max. sound pressure level (at 1kHz) .....125 dB  
Total harmonic distortion (at 1kHz): .....< 1 %  
Signal-to-noise ratio: .....typ. 75 dB(A)  
Operating time: .....up to 12 h  
Charging time: .....approx. 3 h  
Weight incl. battery:.....approx. 73 g

### DELIVERY INCLUDES

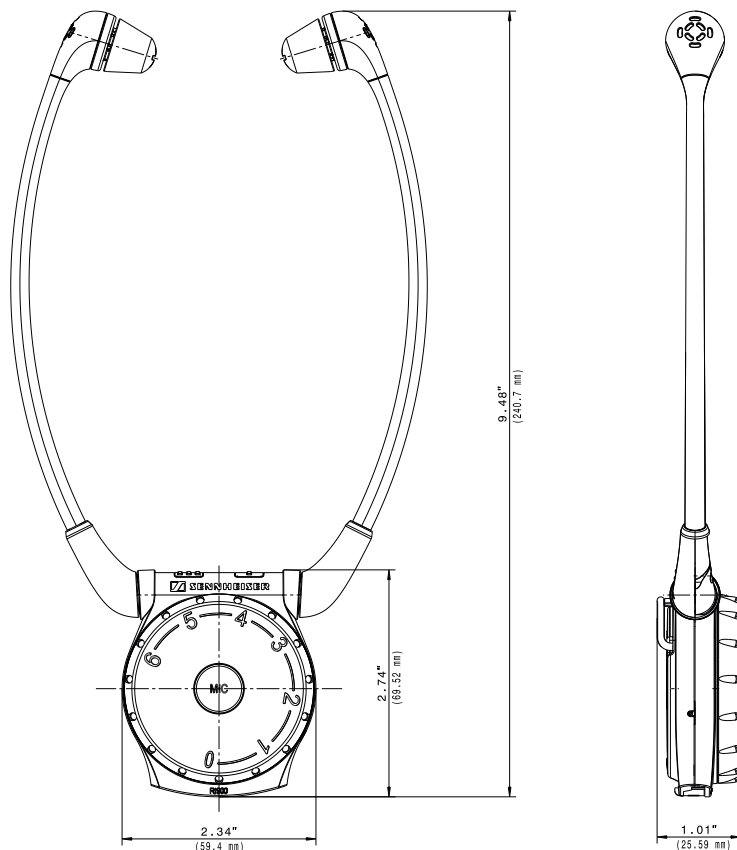
- 1 RI 900 receiver
- 1 BA 300 rechargeable battery
- 2 alternative pairs of ear pads
- 1 manual

## RI 900 Amplifier & infrared receiver

### ARCHITECT'S SPECIFICATIONS

Power shall be supplied to the portable receiver by one Sennheiser BA 300 rechargeable battery pack. Operating time shall be up to 12 hours. Battery charging time shall be approximately 3 hours. The receiver overall dimensions shall be approximately 9.48" x 1.01" (240.7 x 25.59 mm) [overall width adjusts and varies based upon user head size]. Weight including battery shall be approximately 2.57 oz (73 grams). The portable infrared (IR) receiver and self-contained personal ambient sound amplifier shall be Sennheiser model RI 900.

### DIMENSIONS



### PRODUCT VARIANTS

RI 900	Cat.No. 502023
HDI 830	Cat.No. 502019
RI 830 S	Cat.No. 502021

### RECOMMENDED ACCESSORIES

BA 300 rechargeable battery	Cat.No. 500898
L 300 10-10 charger	Cat.No. 502710
Ear pads (silicone, transparent), 5 pairs	Cat.No. 528124
Ear pads (foam, black), 5 pairs	Cat.No. 528125
Ear pads (silicone, black), 5 pairs	Cat.No. 528123
Transport case	Cat.No. 528126

Sennheiser electronic GmbH & Co. KG  
 Am Labor 1, 30900 Wedemark, Germany  
[www.sennheiser.com](http://www.sennheiser.com)

 **SENNHEISER**